

Day/Night & Weather-proof Camera

Features

- > 380TV lines clear picture display
- > Built-in 9 IR lights for 7m night vision range
- > Weather-proof design for outdoor usage
- > Channel scan and channel skip for multi-camera usage
- > 4-channel available to avoid interference
- > Built-in microphone for audio monitoring
- > Min. 100m transmission distance without blocks

Specifications

Items	Value	
Transmission Frequency	ISM 2,400MHz~2,483MHz 4CH*	
Modulation Type	FM	
Antenna Type	Omni	
Transmission Distance	100m (Without Block)	
Operating Temperature	-10°C~+50°C / +14°F~+122°F	
Storage Temperature	-20°C~+60°C / -4°F~+140°F	
Operating Humidity	85%RH	
Camera	Imaging Sensor	CMOS
	CMOS Total Pixels	628 X 582(PAL) ; 510 X 492(NTSC)
	Horizontal Resolution	380 TV Lines
	View Angle	55°
	Minimum Illumination	5.0 Lux / F1.2 & 0 Lux (IR ON)
	Transmission Power	10mW / CE; 2mW / FCC
	Power Supply	DC 8V 300mA
	Consumption Current	80 mA & 200mA(IR ON)
	Dimensions (Dia. X D)	Φ49mm X 62mm (Main Body)
	Night Vision Range	7m
Receiver	Receiving Sensitivity	-85dBm
	Antenna Port	50ohm SMA
	Power Supply	DC 7.5V 300mA
	Consumption Current	240mA
	Video Output Level	1V _{pp} @75ohm
	Audio Output Level	1V _{pp} @600ohm
	Dimensions (WxDxH)	91mm X 70mm X 13mm

* Channel Frequency : CH1=2414MHz;CH2=2432MHz;CH3=2450MHz;CH4=2468MHz
 * Specifications are subject to minor change without prior notice.

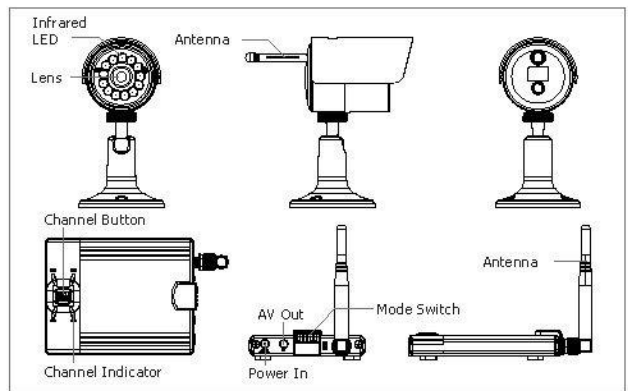
Packing list



207AE



Feature Locations



Packing

Net weight: 0.9kg

Size: 31.5cm X 24.5cm X 8.7cm



Gross weight: 11.32kg

Quantity : 8sets

Size: 78cm X 36cm X 29.5cm

