

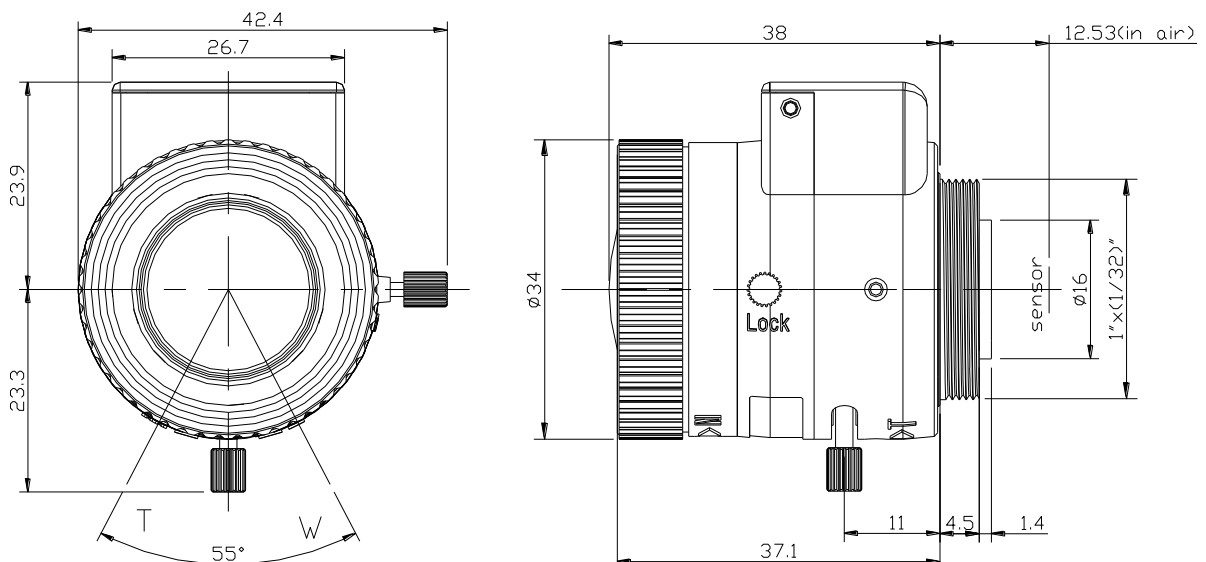
RI-V03610P IR-S (4K)

50978-P P-Iris Varioobjektiv 3,6-10mm/ F1,5, 1/1.8 Zoll



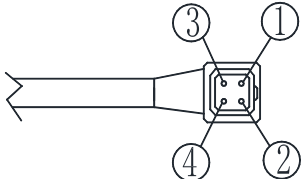
E.F.L.		3.6 ~ 10 mm
F No.		F1.5
Mount Type		CS
H.FOV	IMX172	86°~35°
Image Format (Max)		1/1.8"
Iris Type		P-Iris
M.O.D		0.3m
TV Distortion	IMX172	-18% (wide)
Control Type	Zoom	Manual
	Focus	Manual
Operating Temperature		-20°C ~ 60°C
Weight		46g

Dimensions



P-Iris

1. Connector and Cord Specification

	1	B
	2	A
	3	\bar{A}
	4	\bar{B}
Connector	Square 4pin	JEITA Standard
	Cable Length	250mm

2. P-Iris Specification

Stepping Motor	Motor Type	PM type stepping motor
	No. of Phases	2 phases
	2-2 phases	Drive excitation
	No. of Iris steps	92 steps
	Coil Resistance	28.5Ω/phase, at 20°C
	Storage Temperature	-30 ~ 70°C
Operating	Operation Voltage	2.6 ~ 3.8V
	Operation Frequency	200 ~ 800pps
	Operation Temperature	-20 ~ 60°C

3. Iris

Pin	Step			
	1	2	3	4
A	H	L	L	H
\bar{A}	L	H	H	L
B	H	H	L	L
\bar{B}	L	L	H	H

Iris Open → Close: 1 → 2 → 3 → 4 → 1...

Iris Close → Open: 4 → 3 → 2 → 1 → 4...