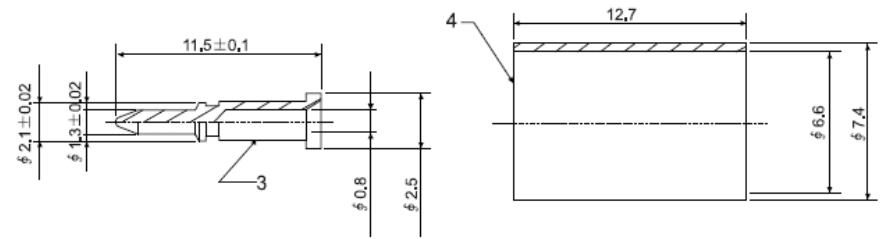
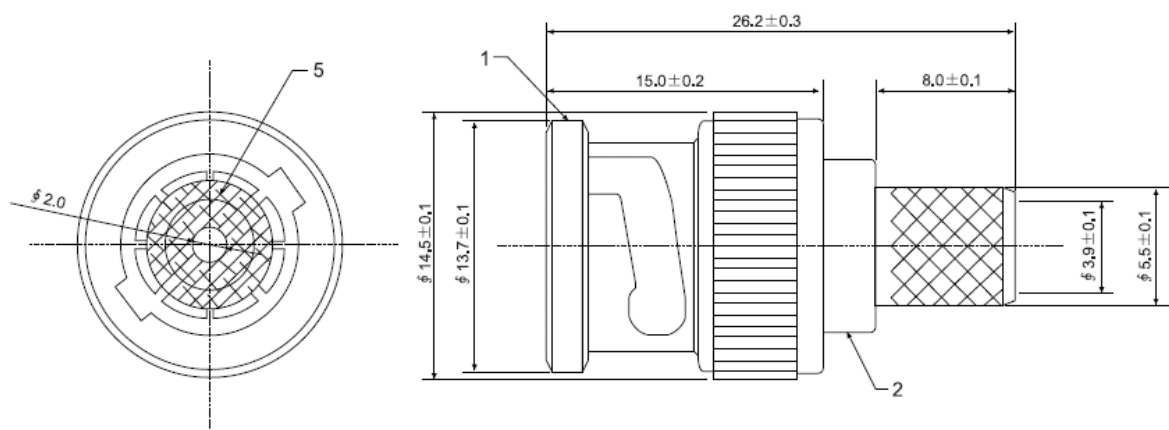


REV	DESCRIPTION	APPROVAL	DATE
φ	新制定		07.01.09



ITEM	DESIGNATION	MATERIAL
5	INSULATOR	POM
4	COPPER TUBE	Cu
3	PIN	Cu
2	BODY	Zn
1	SHELL	Zn

ROHS COMPLIANT

TOLERANCE	
0-10	±0.05
10-100	±0.5
100-1000	±10.0
1000-10000	±100.00
10000-100000	±1000.00

TITLE: BNC MALE CRIMP TYPE				DRAWN BY: TOMMY	
PART NO: BM02N0411E-59				CHECKED:	
File Number:				APPROVED:	
SCALE: /				DRAW NO:	
REV	φ	UNIT	mm		